



## JP3 Rudder Bearings – Type 3

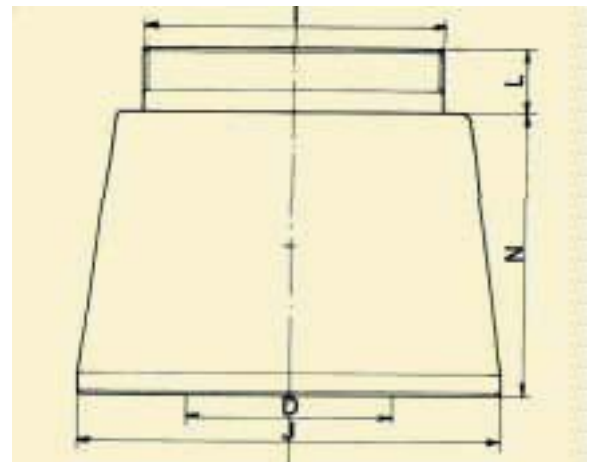
### General Characteristics

Type 3 bearings are designed specifically to fit STAINLESS STEEL or TITANIUM rudder shafts.

- Steel needle rollers are fitted inside the Ertalyte ball, which provide friction free operation.
- 2 lip seals and 2 quadring seals fitted to ensure watertight integrity. Can be flanged on request.
- Installation in GRP or Aluminum housing recommended.



Type 3 : ref 30.02.14



Type 3 ref : 30.02.11 on its composite housing.